

## ABSOLUTE ROTARY ENCODER IXARC EXPLOSION PROOF CANOPEN



CANopen

### Main Features

- Approvals:
  - ⊕ II 2 G/D Ex db IIC T5 Gb (surface)
  - ⊕ I M2 Ex db I/IIC T5 (underground mining)
- Heavy-duty industrial model
- Interface: CAN
- Protocol: Canopen
- Max. 65536 steps per revolution (16 Bit)
- Max. 16384 revolutions (14 Bit)
- Code: Binary
- Velocity- and Acceleration- output

### Mechanical Structure

- Ex-proof, flameproof enclosure
- Flange and housing of Aluminum and Stainless Steel
- Shaft of stainless steel
- Precision ball bearings with sealing or cover rings
- Code disc made of unbreakable and durable plastic

### Programmable Parameters

- Direction of rotation (complement)
- Resolution per revolution
- Total resolution
- Preset value
- Two limit switches and eight cams
- Transmission mode: Polled mode, cyclic mode, sync mode, or change of state mode

### Electrical Features

- Address and baudrate setting via rotary switches
- Connection via connection cap
- Temperature insensitive IR-opto-receiver-ASIC with integrated signal conditioning
- Highly integrated circuit in SMD-technology
- Polarity inversion protection
- Over-voltage-peak protection

AMERICA  
FRABA Inc.

1800 East State Street, Suite 148  
Hamilton, NJ 08609, USA  
T +1 609 750-8705, F +1 609 750-8703  
[www.posita.com](http://www.posita.com), [info@posita.com](mailto:info@posita.com)

EUROPE  
POSITAL GmbH

Carlswerkstrasse 13c  
D-51063 Köln, GERMANY  
T +49 221 96213-0, F +49 221 96213-20  
[www.posita.eu](http://www.posita.eu), [info@posita.eu](mailto:info@posita.eu)

ASIA  
FRABA Pte. Ltd.

60 Alexandra Terrace,  
#02-05 The Comtech, SINGAPORE 118502  
T +65 6514 8880, F +65 6271 1792  
[www.posita.sg](http://www.posita.sg), [info@posita.sg](mailto:info@posita.sg)

### ABSOLUTE ROTARY ENCODER IXARC EXPLOSION PROOF CANOPEN

#### Technical Data

##### Electrical Data

Interface	Transceiver according ISO 11898, galvanically isolated by opto-couplers
Transmission rate	max. 1 MBaud
Device addressing	Adjustable by rotary switches in connection cap
Supply voltage	10 – 30 V DC (absolute limits) <sup>1</sup>
Current consumption	max. 230 mA with 10 V DC, max. 100 mA with 24 V DC
Power consumption	max. 2.5 Watts
Step frequency LSB	800 kHz
Accuracy of division	± ½ LSB (12 bit), ± 2 LSB (16 bit)
EMC	Emitted interference: EN 61000-6-4
	Noise immunity: EN 61000-6-2
Electrical lifetime	> 10 <sup>5</sup> h

<sup>1</sup> Supply voltage according to EN 50 178 (safety extra-low voltage)

##### Mechanical Data

Housing	Anodize Aluminum, Stainless Steel 303 AISI or Stainless Steel 316 AISI	
Max. shaft loading	Axial 50 N, radial 50 N	
Inertia of rotor	≤ 35 gcm <sup>2</sup>	
Friction torque	IP65	≤ 0.01 Nm at 25°C
	IP67	≤ 0.03 Nm at 25°C
RPM max.	IP65/IP66/IP67	3,000 RPM
	IP55/IP64	6,000 RPM
Shock (EN 60068-2-27)	≤ 100 g (halfsine, 11 ms)	
Vibration (EN 60068-2-6)	≤ 10 g (10 Hz – 2,000 Hz)	
Weight (standard version)	Approx. 1200 g (Aluminum), Approx. 3100 g (Stainless Steel)	

<sup>1</sup> not applicable for mining

Flange	Clamp (F)	Clamp (E)	Synchro (W)	Square (Z)
Shaft diameter	10 mm	14 mm	10 mm	10 mm
Shaft length	20 mm	8 mm	20 mm	20 mm

## ABSOLUTE ROTARY ENCODER IXARC EXPLOSION PROOF CANOPEN

### Environmental Conditions

Operating temperature	- 40 to + 70°C
Storage temperature	- 40 to + 85 °C
Humidity	98 % (without liquid state)
Protection class (EN 60529)	IP 65 & IP 67 (others on request)

### Note:

For ambient temperatures below  $-10^{\circ}\text{C}$  and above  $+60^{\circ}\text{C}$  use field wiring suitable for both minimum and maximum ambient temperature.

### Ex-Protection

Encoders classified according to ATEX norms  $\text{Ex II 2 G/D Ex db IIC T5}$  and  $\text{Ex I M2 Ex db I/IIC T5}$ .

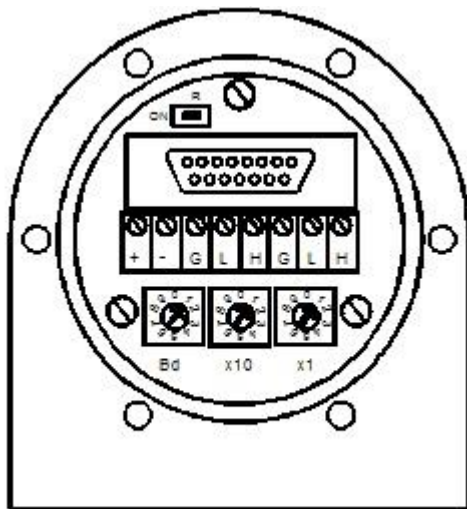
### ABSOLUTE ROTARY ENCODER IXARC EXPLOSION PROOF CANOPEN

#### Interface

##### Installation connection cap

The rotary encoder is connected with two or three cables depending on whether the power supply is integrated into the bus cable or connected separately. If the power supply is integrated into the bus cable, one of the cable glands can be fitted with a plug (unused cable entries have to be closed with a blind plug-> accessories). Two cable glands are suitable for cable diameters from 8 up to 9.5 mm (bus cable), one cable gland is suitable for cable diameters from 6.5 up to 8 mm (power supply).

**Follow the instructions in the installation manual carefully, otherwise the ATEX-certification will be repealed!**



Clamp	Description
⊥	Ground
+	24 V Supply voltage
-	0 V Supply voltage
G (left)	CAN Ground (Bus In)
L (left)	CAN Low (Bus In)
H (left)	CAN High (Bus In)
G (right)	CAN Ground (Bus Out)
L (right)	CAN Low (Bus Out)
H (right)	CAN High (Bus Out)

##### Configuration connection cap

The setting of the node number is achieved by 2 turn-switches in the connection cap. Possible addresses lie between 0 and 89 whereby every address can only be used once. **Inside the encoder the defined address is increased by one.**

The baudrate is set with the third rotary switch in the cap.

The connection cap can be opened for installation by removing the six cap screws.

A termination resistor is integrated in the cap. The resistor must be switched on if the encoder is connected at the end or at the beginning of the bus:



device X

last device

Separation of Bus In and Bus Out signals if termination resistor is activated.

### ABSOLUTE ROTARY ENCODER IXARC EXPLOSION PROOF CANOPEN

#### Programmable Encoder - Parameter

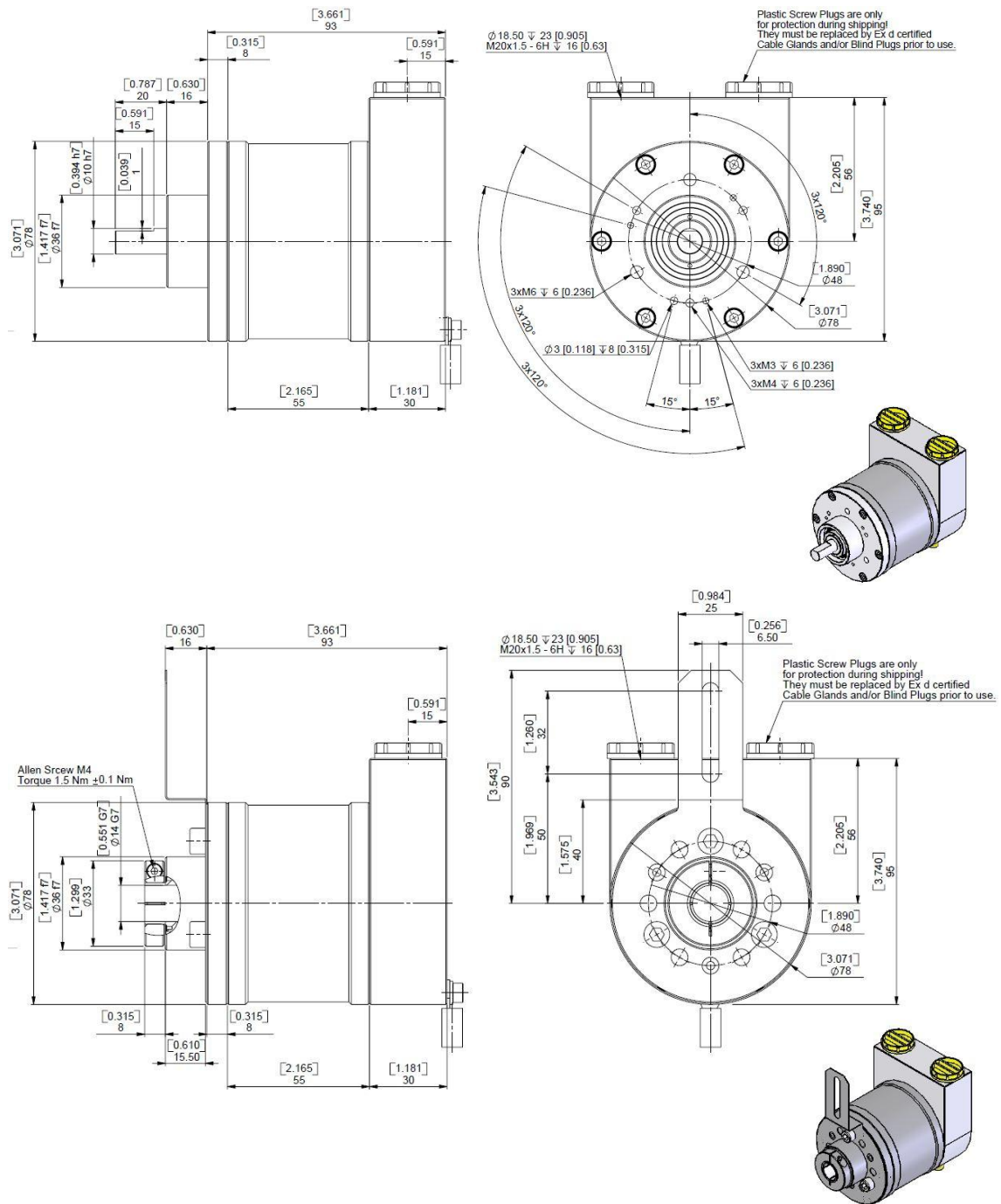
Operating Parameters	This parameter determines the counting direction, in which the output code increases or decreases. As an important operating parameter the code sequence (complement) can be programmed.
Resolution per Revolution	The parameter resolution per revolution is used to program the desired number of steps per revolution. Each value between 1 and the physical resolution per revolution can be programmed.
Total Resolution	This parameter is used to program the desired number of measuring units over the total measuring range. This value may not exceed the total resolution of the absolute rotary encoder. If the encoder is used in a continuous measuring application, certain rules for the setting of this parameter must be followed. These rules are outlined in the manual.
Preset Value	The preset value is the desired position value, which should be reached at a certain physical position of the axis. The position value is set to the desired process value by the parameter pre-set.
Limit Switch, Min. and Max.	Two position values can be programmed as limit switches. By reaching these values one bit of the 32 bit process value is set to high.
Cam	One free programmable cam can be set in the total measuring range. The same functionality is realized like a mechanical cam unit.

#### Programmable CAN Transmission Modes

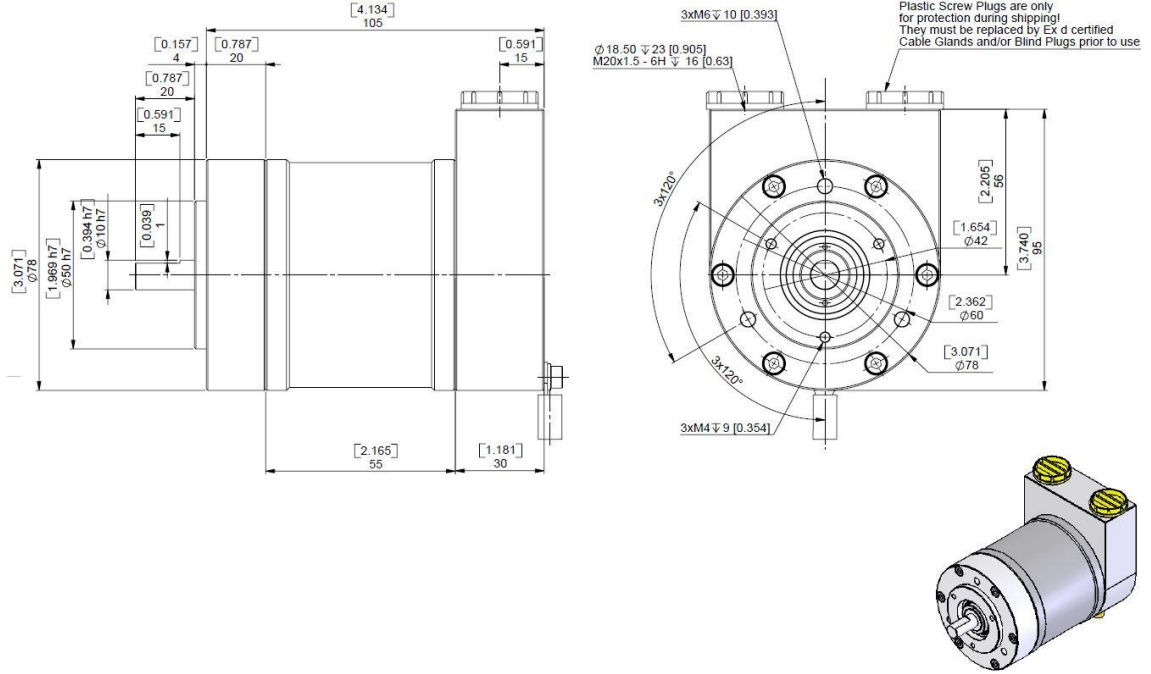
Polled Mode	By a remote-transmission-request telegram the connected host calls for the current process value. The absolute rotary encoder reads the current position value, calculates eventually set-parameters and sends back the obtained process value by the same identifier.
Cyclic Mode	The absolute rotary encoder transmits cyclically - without being called by the host - the current process value. The cycle time can be programmed in milliseconds for values between 1 ms and 65536 ms.
Sync Mode	After receiving a sync telegram by the host, the absolute rotary encoder answers with the current process value. If more than one node number (encoder) shall answer after receiving a sync telegram, the answer telegrams of the nodes will be received by the host in order of their node numbers. The programming of an offset-time is not necessary. If a node should not answer after each sync telegram on the CAN network, the parameter sync counter can be programmed to skip a certain number of sync telegrams before answering again.

### ABSOLUTE ROTARY ENCODER IXARC EXPLOSION PROOF CANOPEN

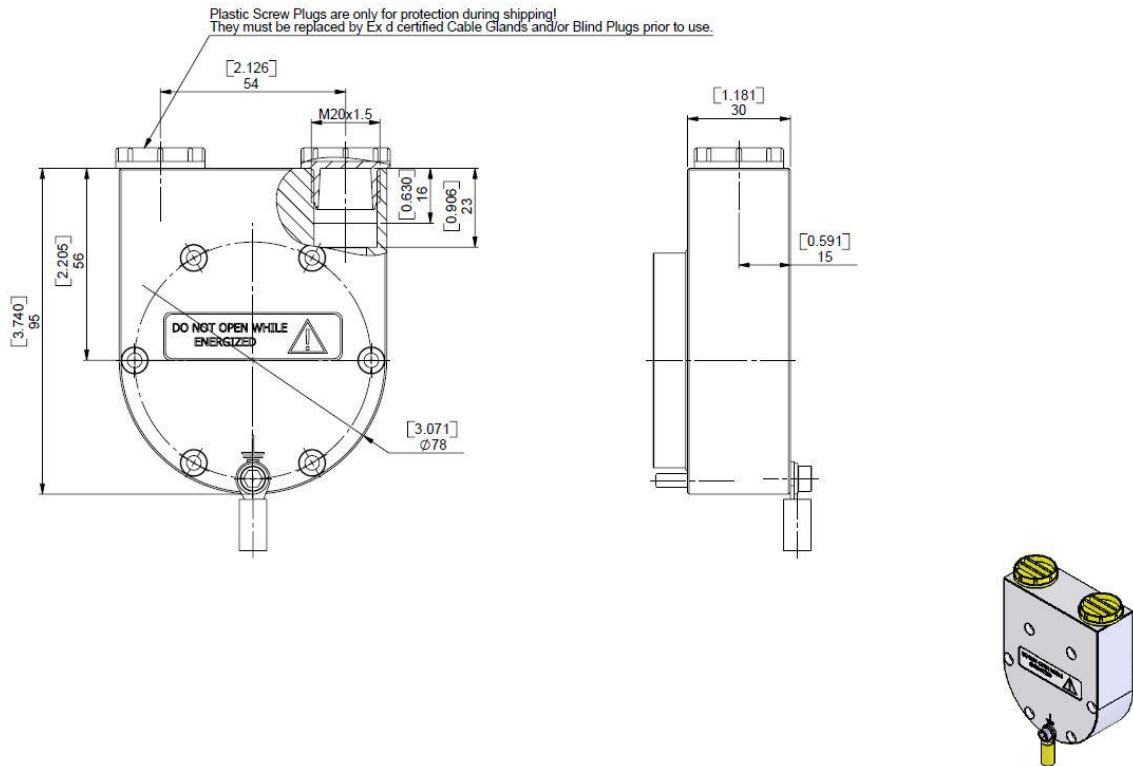
#### Mechanical Drawings



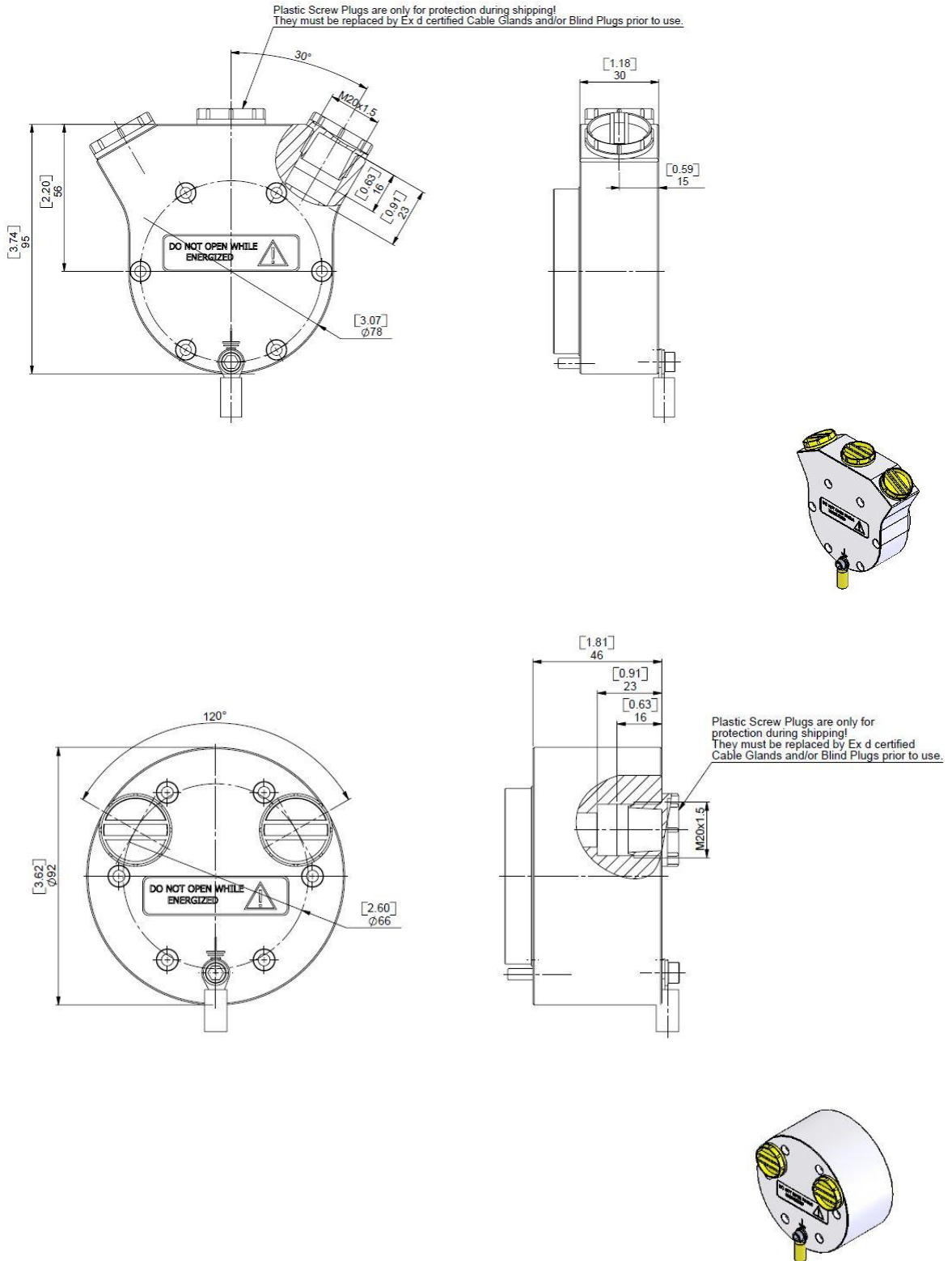
## ABSOLUTE ROTARY ENCODER IXARC EXPLOSION PROOF CANOPEN



### Connection Cap



## ABSOLUTE ROTARY ENCODER IXARC EXPLOSION PROOF CANOPEN





### ABSOLUTE ROTARY ENCODER IXARC EXPLOSION PROOF CANOPEN

#### Versions / Ordering Description

Description	Type key											
Optocode	OC	-	CA	A1	B-	--	--	-	--	-	H	--
Atex certification Group I		M										
Atex certification Group II		E										
Interface	SSI		CA									
Version				A1								
Code	Binary				B							
Revolutions (Bits)	Singleturn											<b>00</b>
	Multiturn (4096 revolutions)											<b>12</b>
	Multiturn (16384 revolutions)											<b>14</b>
Steps per Revolution (Bits)	4,096 (0.09°)											<b>12</b>
	8,192 (0.04°)											<b>13</b>
	65,536 (0.005°)											<b>16</b>
Flange & Shaft	Clamp flange with Solid Shaft											<b>F</b>
	Clamp flange with Blind Hollow Shaft											E*
	Synchro flange with Solid Shaft											W
	Square flange with Solid Shaft											Z**
Shaft diameter	10 mm (solid shaft)											<b>10</b>
	12 mm (solid shaft)											12
	14 mm (blind hollow shaft)											14
Material & protection class	Aluminum IP 65											<b>0</b>
	Alluminum IP 67											S
	Stainless Steel 303 AISI IP 67											V
	Stainless Steel 316 AISI IP 67											W
Output type	Connection cap											H
Connection cap type	Radial Standard Connection Cap											<b>FZ</b>
	Radial Three Outlet Connection Cap											FE
	Axial Round Connection Cap											FG

\*clamp ring and torque support set included

\*\*available only in stainless steel

**Standard = bold**, further models on request

#### Accessories and Documentation

Description	Type
EDS-File <sup>1</sup>	Disc containing EDS-file for configuration.
	DK-CA

<sup>1</sup> Can be downloaded free of charge from our homepage [www.posital.eu](http://www.posital.eu)

#### Disclaimer

© FRABA N.V. all rights reserved. We do not assume responsibility for technical inaccuracies or omissions. Specifications are subject to change without notice.