



The Fenner® GT is a simple, cost effective integrated motor fitted to any one of a wide range of gearheads. Operation is simple; the large calibrated control knob provides precise speed control.

Start, stop and reverse button options are available. The electronics are moulded in resin to eliminate vibration and humidity damage.

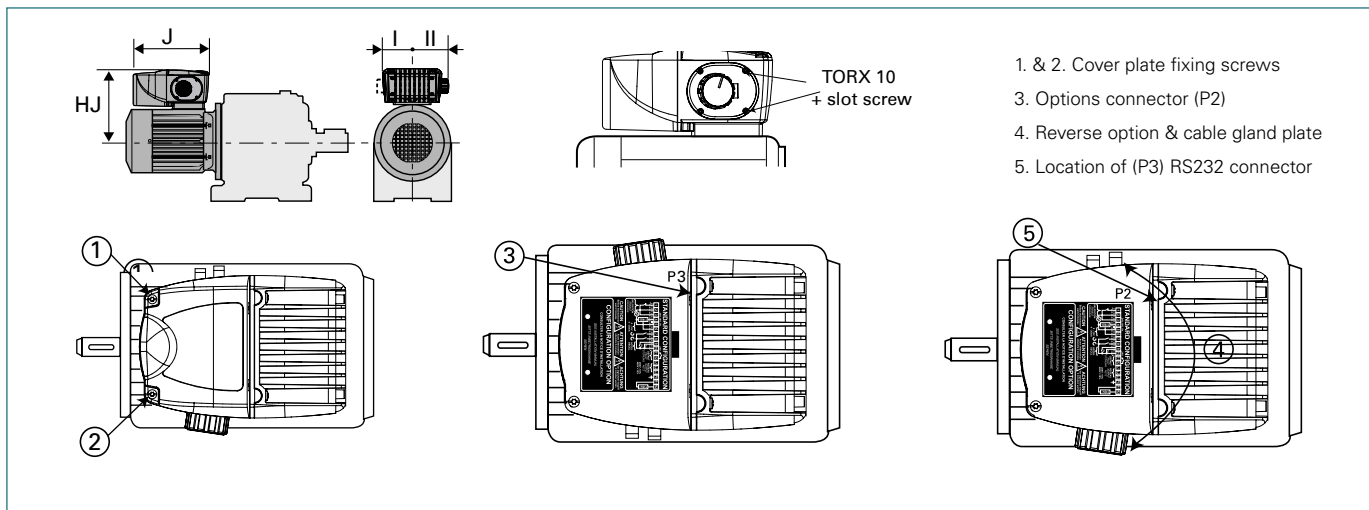
Other options including remote control, parameter setting console, brake resistors, brakes and various field bus protocols can be supplied, please ask your local Authorised Distributor.

- The NEW addition to the range of Fenner® Motorised Gear units is the Fenner® GT, an ideal solution for the replacement of those troublesome mechanical variators which are becoming harder to maintain and repair.
- Available with the full range of Fenner® gearheads and covering the input power range of 0.25kW through to 11kW.
- This variable speed integrated motor provides an easy to install replacement drive with the minimum of disruption to the existing layout.
- Enclosed to IP65 and delivered ready to run.



SERIES M	MAXTORQUE	4,500 Nm	SPEED RANGE 3 TO 786 REV/MIN
SERIES C	MAXTORQUE	4,000 Nm	SPEED RANGE 3 TO 360 REV/MIN
SERIES F	MAXTORQUE	6,400 Nm	SPEED RANGE 2 TO 448 REV/MIN
SERIES K	MAXTORQUE	5,000 Nm	SPEED RANGE 1 TO 285 REV/MIN
SERIES W	MAXTORQUE	1,400 Nm	SPEED RANGE 5 TO 400 REV/MIN

Fenner GT Dimensions



FENNER GT 20 INTEGRAL INVERTER MOTORS

kW	Frame Size	400/480 volt 3 phase Reference	mm HJ	mm J	mm I	mm II	Weight kg
0.25	71L	21T-025	181	216	75	94	4.2
0.37	71L	21T-037	181	216	75	94	4.2
0.55	71L	21T-055	181	216	75	94	4.2
0.75	80L	21T-075	191	216	75	94	4.2
1.10	90S	21T-110	201	216	75	94	4.2
1.50	90L	22T-150	201	230	75	94	4.2
2.20	100L	22T-220	206	230	75	94	4.2
3.00	100L	22T-300	206	230	75	94	4.2
4.00	112L	22T-400	215	230	75	94	4.2

FENNER GT 30 INTEGRAL INVERTER MOTORS

kW	Frame Size	400/480 volt 3 phase Reference	mm HJ	mm J	mm I	mm II	Weight kg
5.50	100L/112M	33T-550	270	336	115	141	8.1
7.50	112MG/132S	33T-750	280	336	115	141	8.1
9.00	132M	34T-900	300	336	115	141	8.1
11.00	160MR	34T-111	311	336	115	141	8.1

PRODUCT CODE DESCRIPTION

TYPICAL REFERENCE VMA22T150-B14-90L-4P

VMA21 SHORT CASE UNIT
VMA22 LONG CASE UNIT

M Single phase power supply 200 to 240 volts +/- 10%; 50/60Hz +/- 10%
TL Three phase power supply 200 to 240 volts +/- 10%; 50/60Hz +/- 10%
T Three phase power supply 400 to 480 volts +/- 10%; 50/60Hz +/- 10%

025 Kilowatt rating - 0.25kW
150 Kilowatt rating - 1.50kW

B3 Foot Mounted
B35 Foot and Flange Mounting
B5 Flange Mounting Large Flange
B14 Flange Mounting Small Flange

90L Motor Frame size
112L Motor Frame size

4P Number of poles in motor